

User guide for SANIKA bathrooms pods

Introduction

Dear User,

You are using a high quality prefabricated bathroom produced by SANIKA, which is a compact and robust construction that fully satisfies the requirements of a modern bathroom.

The aim of this document is to provide you with advice on the correct use of the bathroom. The user guide is part of the product and as such it should always be at the user's disposal.

For reasons of health and safety and in order to prevent accidents, we advise you to thoroughly read this manual.

Should problems arise, which are not described in this manual, please refer either to the owner of the building, or to our local customer service agent, or directly to us, to get all the necessary information.

Safety notice



Caution slip hazard: Careful you don't slip when the floor is wet



Caution: Before having a shower, even if you are in the bathtub, adjust the shower curtain so that water drops either inside the shower tray or the bath.



Caution: Step to the bathroom door and/or to the shower tray.



Caution: Please follow the specific safety and maintenance instructions of the different accessories:

- Lights
- Electrical devices
- Heating appliances
- other

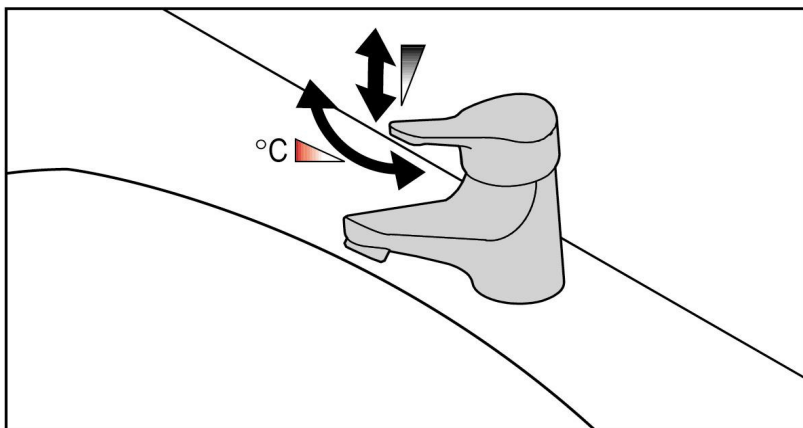


Caution: Hot water may burn.

Instructions for use**Single lever washbasin mixer**

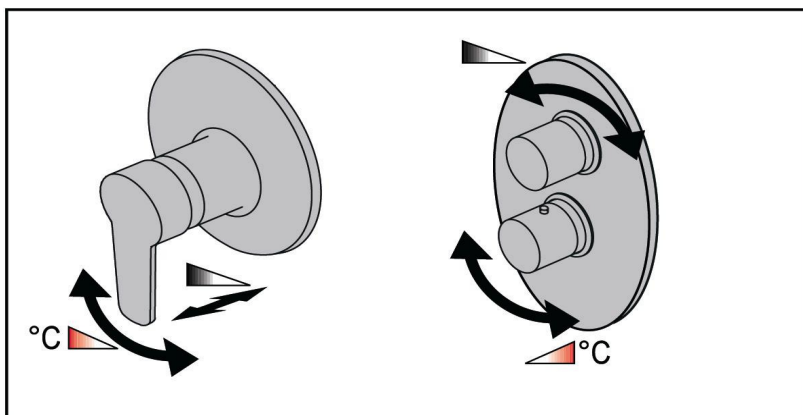
To adjust the flow rate move the lever up and down.

To adjust water temperature turn the lever left or right.

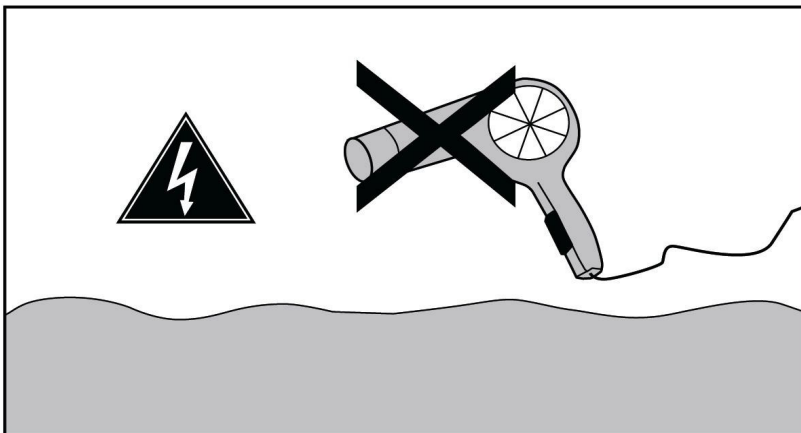
**Mixer for bath/shower**

To adjust the flow rate move the lever up and down, or turn the upper knob respectively.

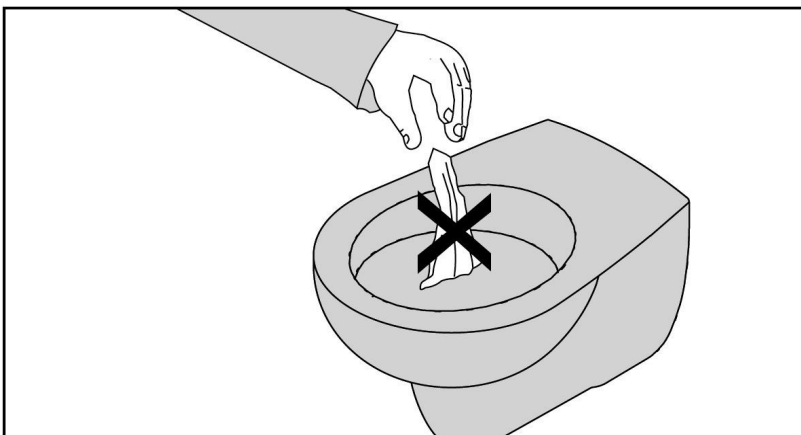
To adjust water temperature move the lever left or right, or set the temperature regulator respectively.



Hairdryers, electrical shavers or other electrical appliances must not be used in the bath or under the shower.



Feminine hygiene articles and other solids must not be flushed down the WC.



Caution: The surface of the bathroom and the accessories have to be protected from flames and heat (e.g. from tea lights or candles).

Maintenance advice

- The filters of the fittings (supply and discharge) have to be cleaned regularly.
- If impurities are suspected, e.g. bad drain off, the respective conducts, filter and fittings have to be checked and cleaned, if needed
- The ventilation filter has to be regularly checked and cleaned.



Caution: Before repairing any electrical appliances turn always off the electrical supply

- Always follow the respective safety and maintenance instructions of the various accessories.
- Do not make any alteration to the prefabricated bathroom, neither by adding nor by removing any parts.
- Repairs must be carried out only by authorized technicians.
- It is not allowed to clean drain pipes by means of compressed air and besides, the frequent use of chemical drain cleaners.

Cleaning



Caution: Detergents containing acetone-based solvents or abrasive substances are not allowed. Parts made of glass fibre reinforced plastic must not be cleaned with strong bases (pH-value ≥ 10).

Clean fittings, accessories and every other surface with neutral detergents and follow the specific producer's instructions.

The manufacturer SANIKA will not take liability for damages resulting from inappropriate cleaning of the prefabricated bathroom.

Manufacturer

SANIKA S.r.l.
Via Primo Maggio 22
38089 STORO TN
ITALY

Tel. +39 0465 680 146
Fax +39 0465 680 780
info@sanika.it
www.sanika.it